

MERO Access Floor Type 3 / Steel

Innovative Solution out of one hand

Development
Consulting
Planning
Manufacturing
Installation

Access floor
Hollow floor
Floor covering
Installation
Services



Fields of application



Landtag Nordrhein-Westfalen, Düsseldorf

Access floor panel



The floor panel type 3 consists of a high-quality steel tubing frame which is covered by high-grade steel plate. All parts are welded by means of robots to fit with precision. The conductive powder coating guarantees protection against corrosion.

The quality of the MERO-TSK access floor systems is guaranteed by a quality management system acc. to ISO 9001.



During installation

The MERO-TSK access floor construction type 3 is due to its tensile strength the solution for production plants, cleanrooms, computer rooms or laboratories etc. where extremely high load bearing capacities and security against fracture are required.

A large variety of elastic, hard and textile floor coverings can be applied. Laying of loosely laid covering tiles is also possible.



Construction principle

Understructure



The pedestal gasket fulfils three requirements:

1. Fixing of the panels
2. Sound insulation
3. Electrical conductivity

High frequency shielding is possible.



Different types of pedestals

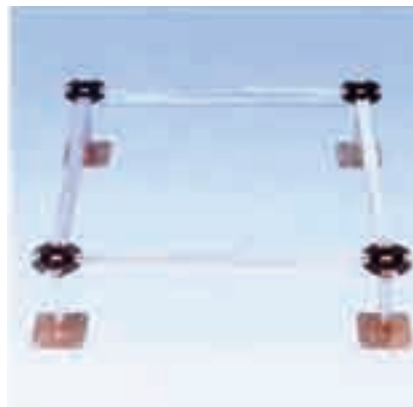
The understructure can be used for all panel types. The understructure consists of steel pedestals, adjustable in height to fit with precision.

The base plate can be glued or dowelled to the subfloor.

The understructure is protected against corrosion. All steel parts are galvanized.



Stringers



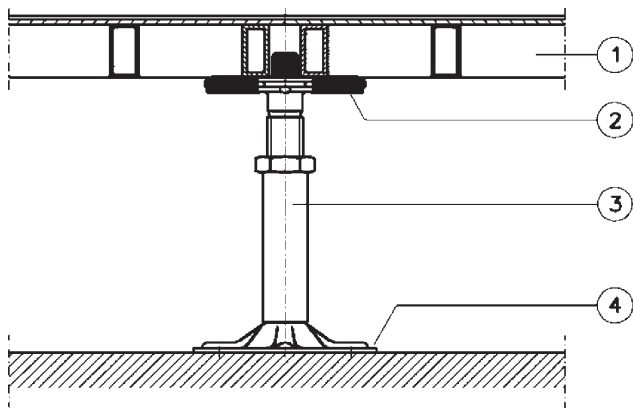
Dropped-in system

Stringers

The use of u-type oder c-type stringers increases the horizontal stability of the entire construction. The stringers can also be installed afterwards.

High frequency disturbances can be avoided by screwing the stringers with pedestal head. The stringers are galvanized.

Technical Data*: Access Floor Type 3 / Steel



*For detailed technical data please see the data sheets of the different type 3 systems or internet page under www.mero-tsk.de.

1. Floor panel (with floor covering or without floor covering)
2. Gasket
3. Pedestal/type of construction acc. to floor height
4. pedestal base plate glued to the subfloor (dowelled on request)

Panel:	
Dimension:	600 x 600 mm
Panel thickness: (without floor covering)	~ 33 mm
System weight: (without floor covering, floor height 250 mm)	~ 47 kg/m ²
Panel weight:	~ 16 kg/piece
Panel material:	Steel construction; conductive powder coated

Understructure:	
Module:	600 x 600 mm
Pedestal material:	galvanized steel pedestals
Construction height: (without floor covering)	~ 70 – 1800 mm
Recommendation for use:	we recommend to use stringers from a finished floor height of 500 mm on, e.g. u-type stringers

Load values:	
Concentrated load:	
• acc. to DIN EN 12825	class 5
• Nominal load	5.000 N
• Ultimate load	> 10.000 N

Electrostatic:	> 10 ⁵ Ohm
(Depending on systems and floor covering)	

Fire protection:	
Building material class acc. to DIN 4102 T1:	Material of the static relevant parts A1

Thermal conductivity: (base material)	~ 50 W/mK
--	-----------



TÜV certificate since 2005-01-20

MERO-TSK
International GmbH & Co. KG
 Floor System Division
 Lauber Straße 7
 97357 Prichsenstadt
 Germany
 Phone: +49 (0) 9383/203-351
 Fax: +49 (0) 9383/203-629
 E-mail: bodensysteme@mero-tsk.de
www.mero-tsk.de